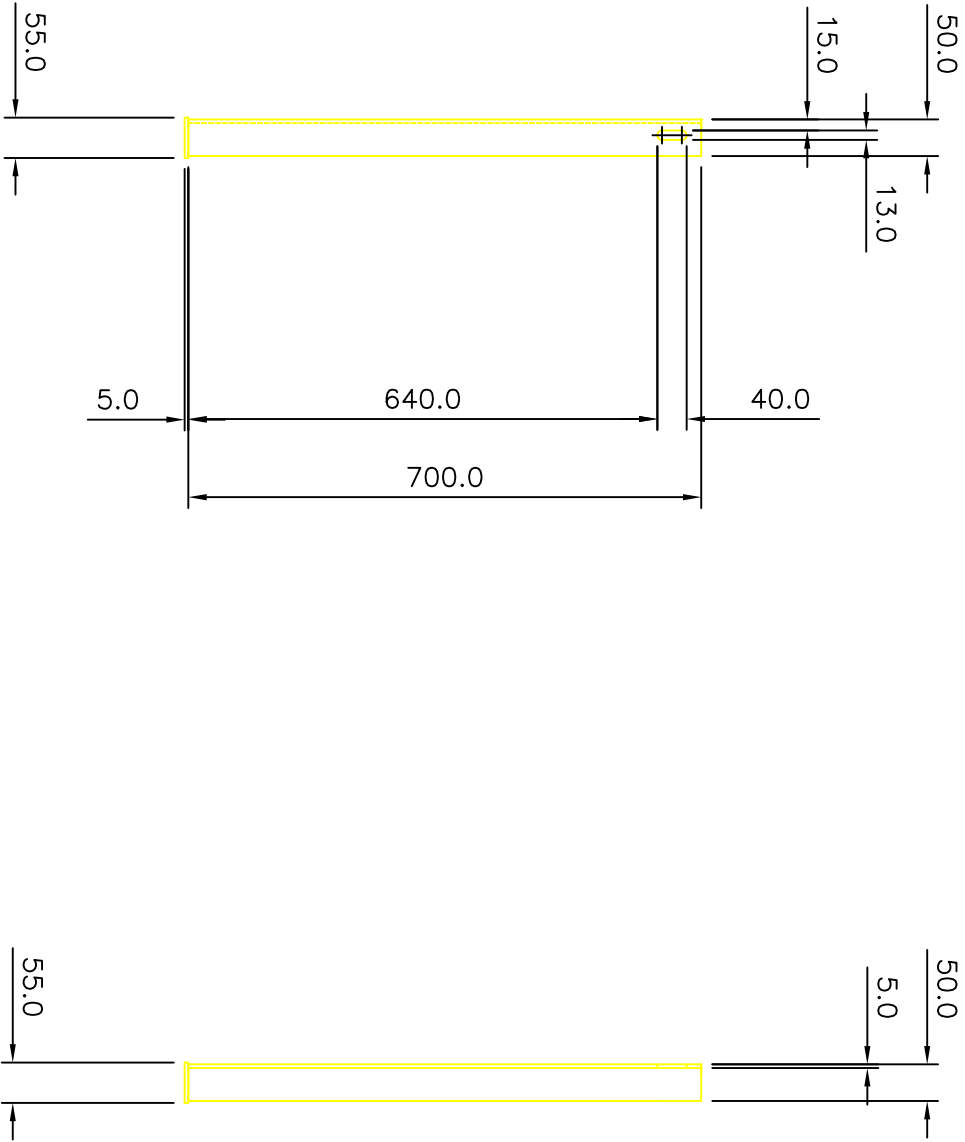




DO NOT SCALE

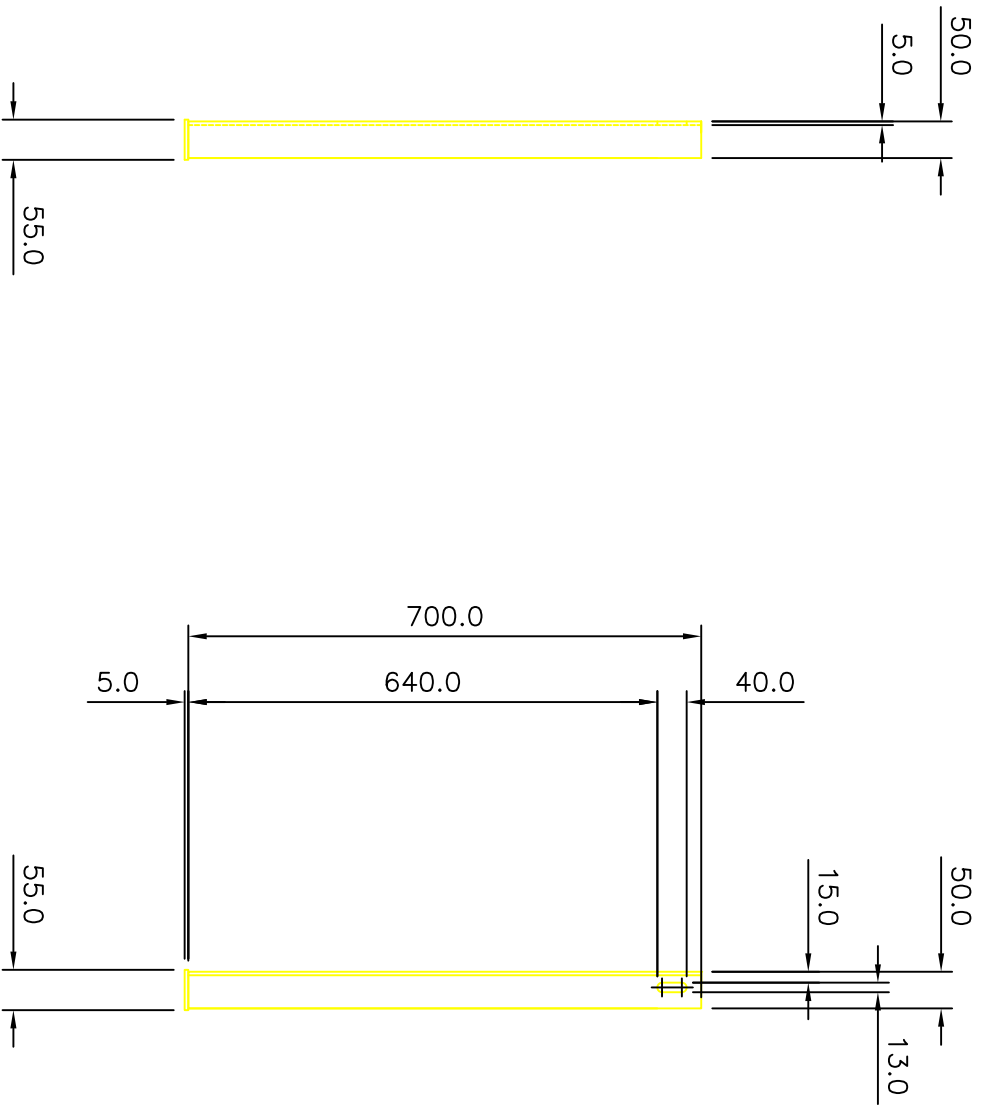


REVISIONS				MATERIAL		TITLE		QTY		DRAWING		SCALE		
No	DESCRIPTION	CHK'D	APP'D	MILD STEEL	ANGLE	GRATE SUPPORT	LEG-TYPE 1	2	DRAWN	TRACED	CHECKED	APPROVD	DATE	SCALE

All dimensions in centimeters unless stated

DRAWING No. GFD02-DR011

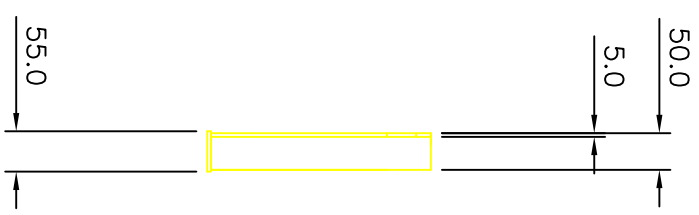
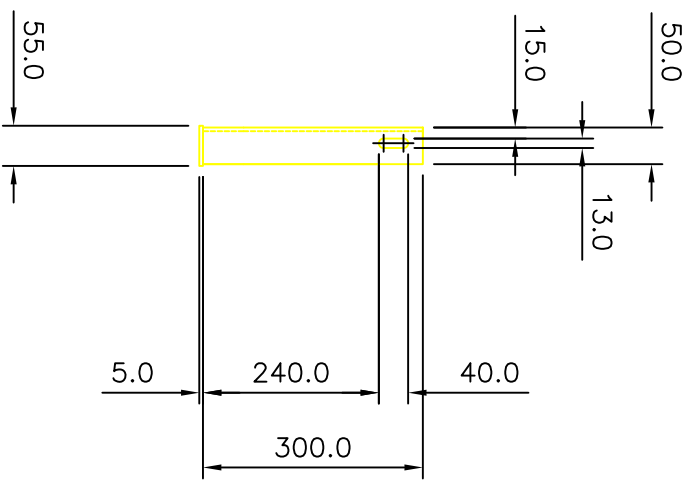
DO NOT SCALE



REVISIONS				MATERIAL		TITLE		QTY		DRAWING		SCALE	
No	DESCRIPTION	CHK'D	APP'D	MILD STEEL	ANGLE	GRATE SUPPORT	LEG-TYPE 2	2					

GFD02-DR012

DO NOT SCALE

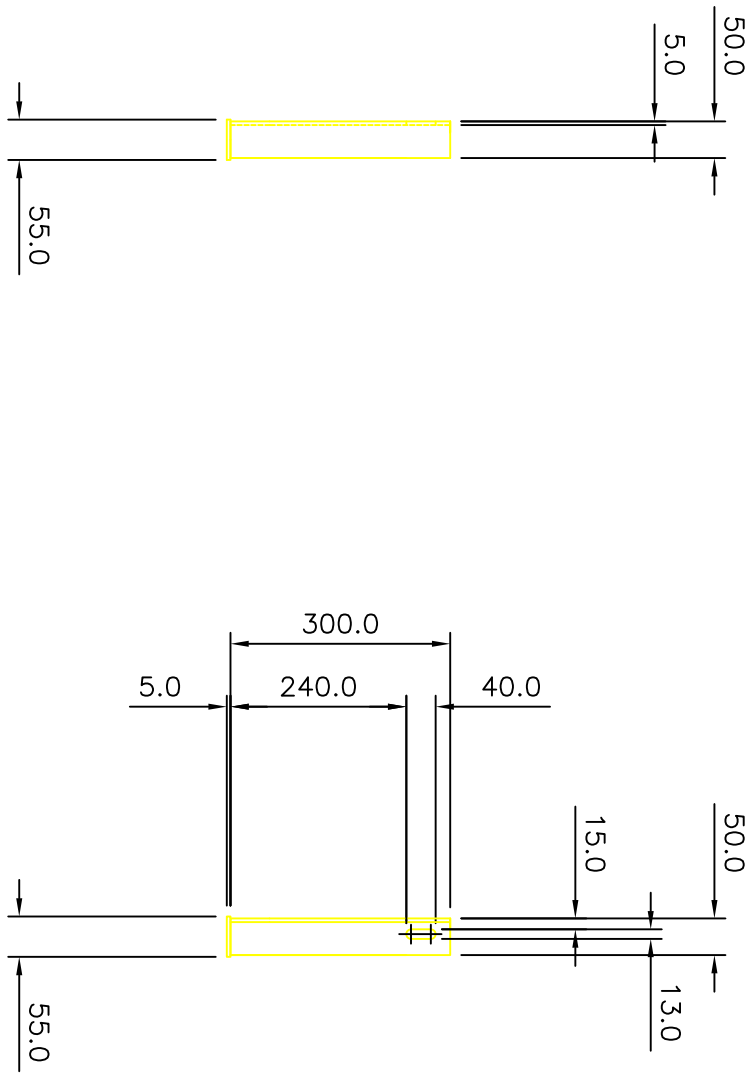


No	DESCRIPTION	CHK'D	APP'D	DATE	MATERIAL	TITLE	QTY	DRAWN	TRACED	CHECKED	APPROVD	DATE	SCALE
					MILD STEEL ANGLE	GRATE SUPPORT LEG-TYPE 3	2						
REVISIONS													


All dimensions in centimeters unless stated

DRAWING No. GFD02-DR013

DO NOT SCALE

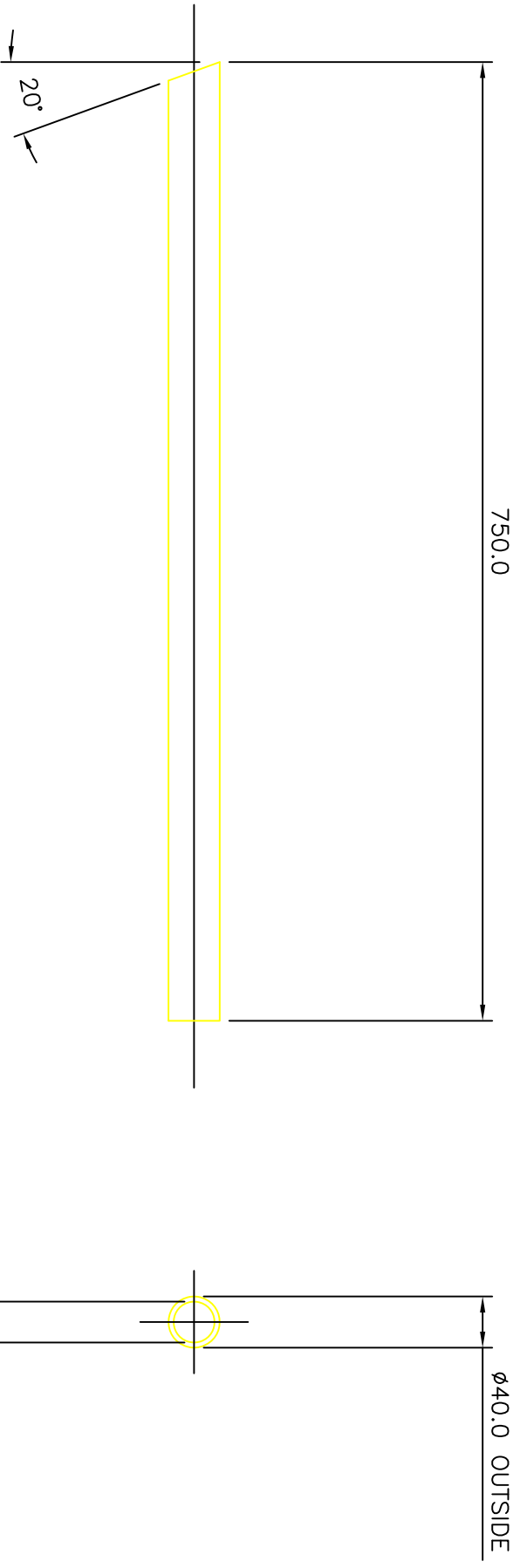


REVISIONS				MATERIAL		TITLE		QTY		DRAWING		SCALE	
No	DESCRIPTION	CHK'D	APP'D	DATE	MILD STEEL	ANGLE	GRATE SUPPORT LEG-TYPE 4	2					


 All dimensions in drawing standard.

DRAWING No. **GFD02-DR014**

DO NOT SCALE

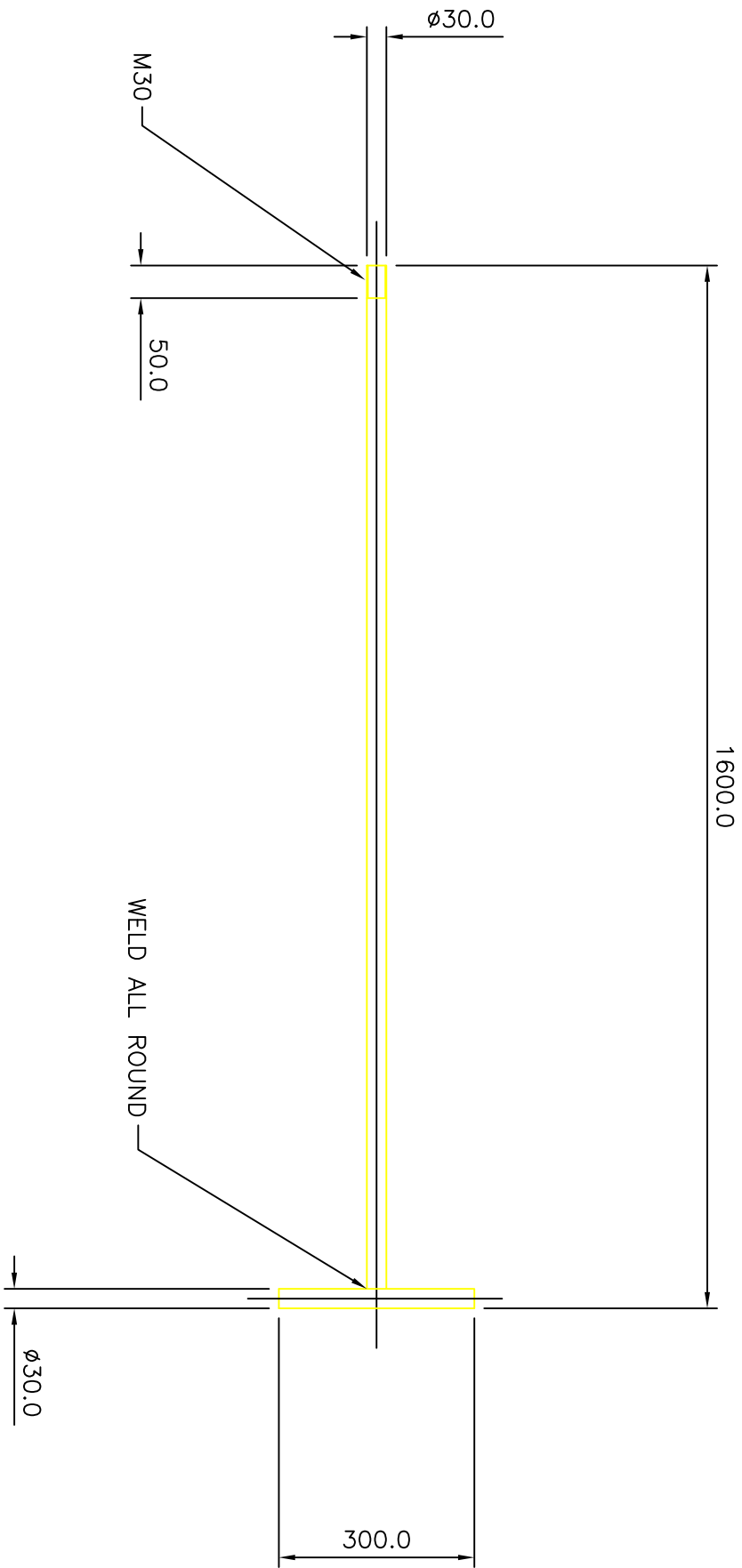


REVISIONS				MATERIAL		TITLE		QTY		DRAWING		SCALE	
No	DESCRIPTION	CHK'D	APP'D	MILD STEEL	SCRAPER GUIDE TUBE	5							

All dimensions in centimeters unless stated

DRAWING No. GFD02-DR057

DO NOT SCALE

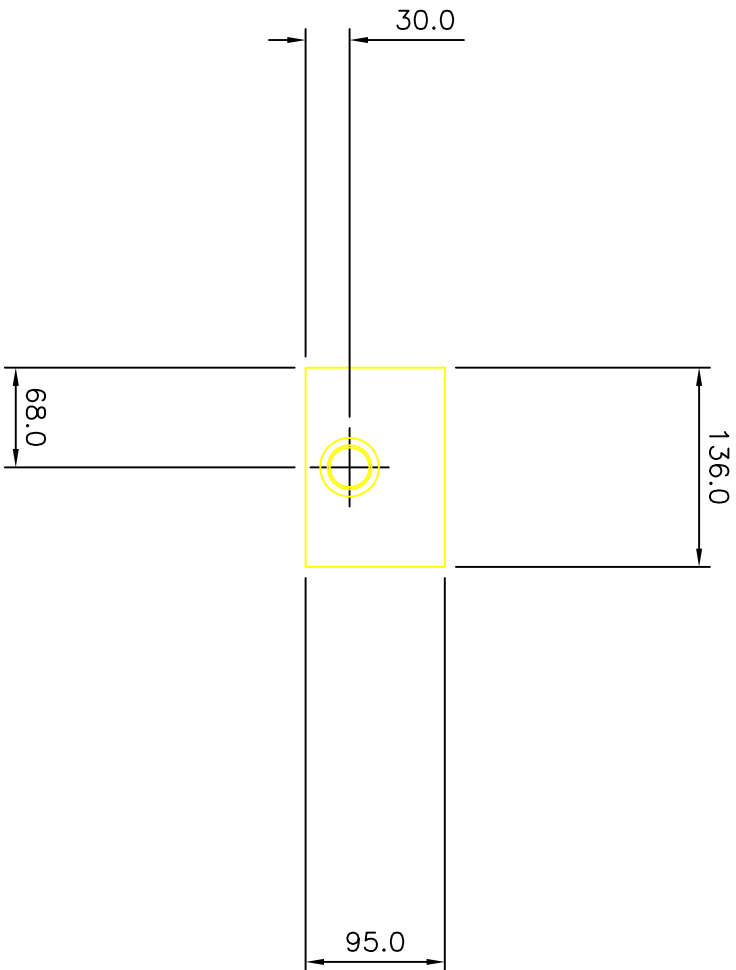
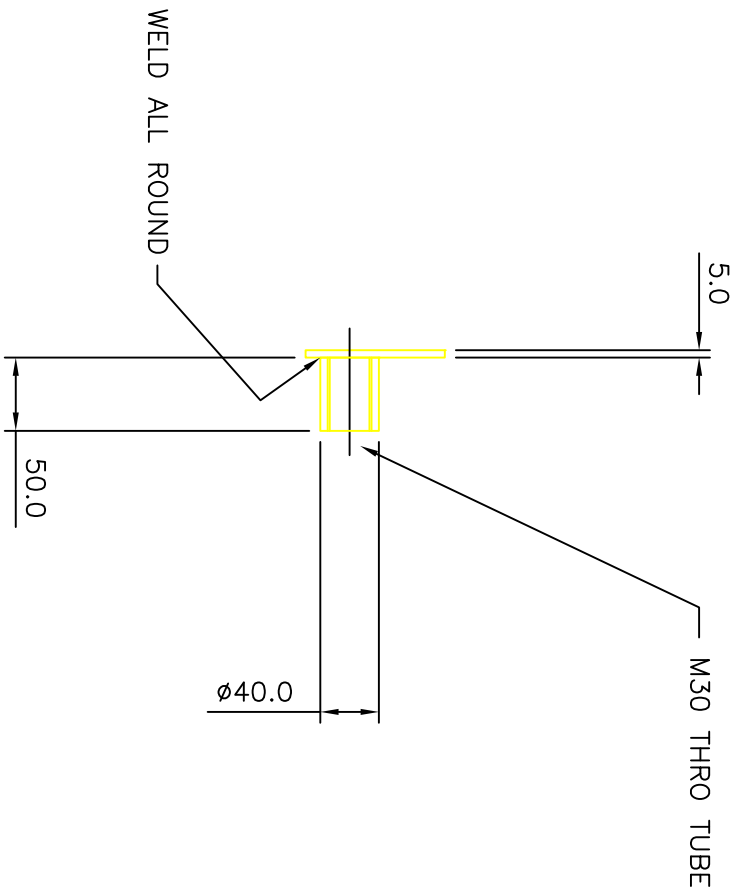


No	DESCRIPTION	CHK'D	APP'D	DATE	MATERIAL	TITLE	QTY	DRAWN	TRACED	CHECKED	APPROVD	DATE	SCALE
					MILD STEEL	SCRAPER HANDLE	5						
REVISIONS													

All dimensions in centimeters unless otherwise stated.

DRAWING No. GFD02-DR058

DO NOT SCALE

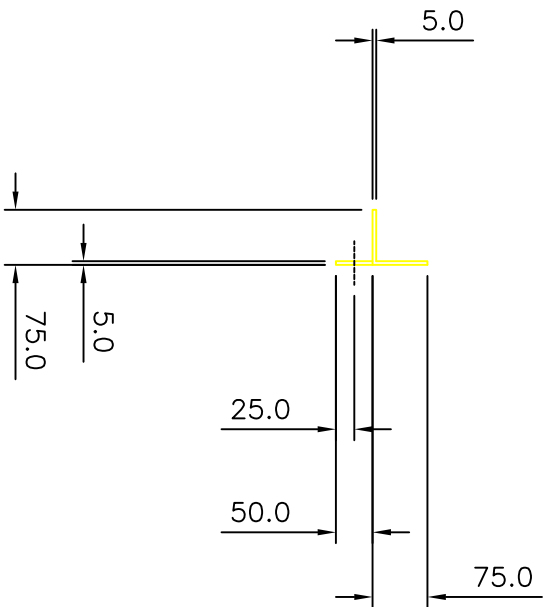
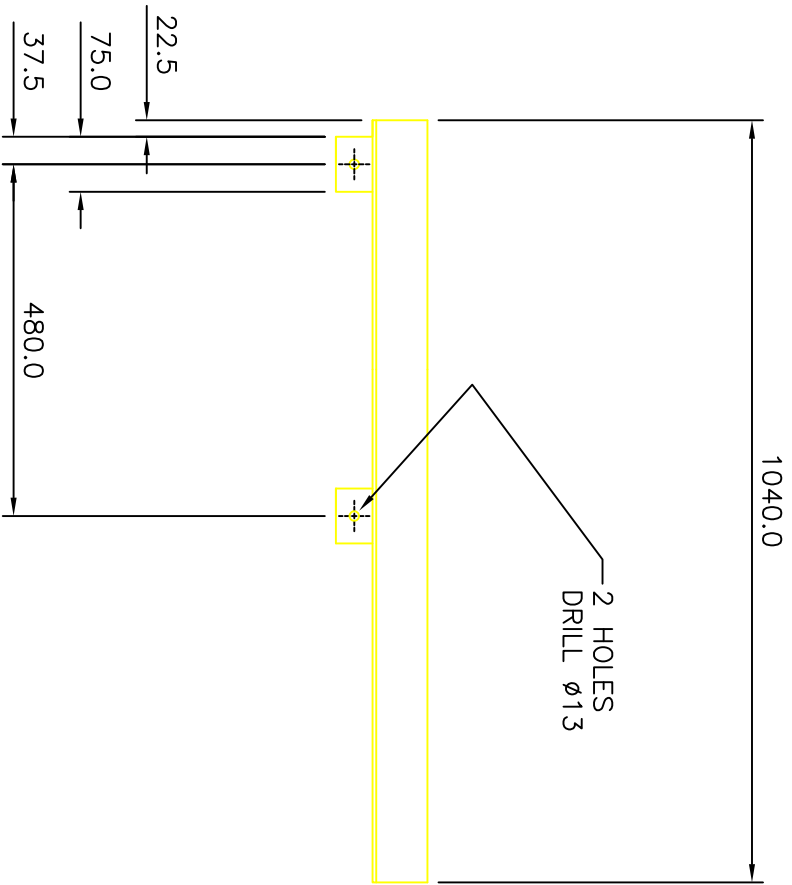


REVISIONS				MATERIAL		TITLE		QTY		DRAWING		SCALE	
No	DESCRIPTION	CHK'D	APP'D	MILD STEEL	SCRAPER	5							

All dimensions in millimeters unless otherwise stated.

DRAWING No. GFD02-DR059

DO NOT SCALE

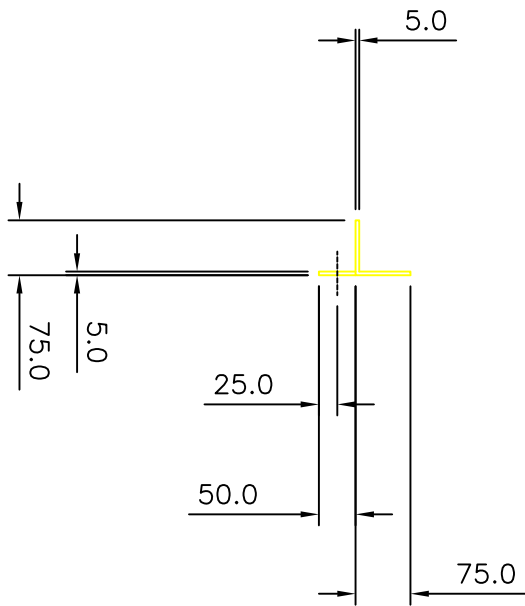
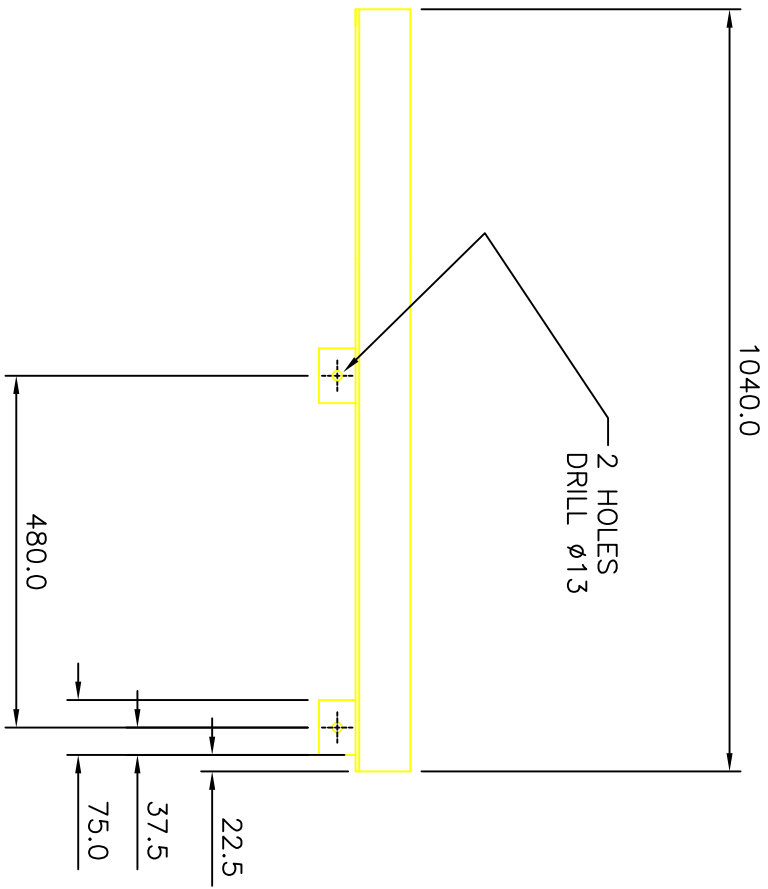


No	DESCRIPTION	CHK'D	APP'D	DATE	MATERIAL	TITLE	QTY	DRAWN	TRACED	CHECKED	APPROVD	DATE	SCALE
					MILD STEEL	SKREW BRICK SUPPORT RAIL-TYPE 1	2						
REVISIONS													

All dimensions in  
centimeters unless  
otherwise stated.

DRAWING No. GFD02-DR061

DO NOT SCALE



REVISIONS				MATERIAL		TITLE		QTY		DRAWING		SCALE	
No	DESCRIPTION	CHK'D	APP'D	MILD STEEL	SKREW BRICK SUPPORT RAIL-TYPE 2	2	2	5.0	75.0	No.	DATE	SCALE	

All dimensions in centimeters unless stated.

DRAWING No. GFD02-DR062